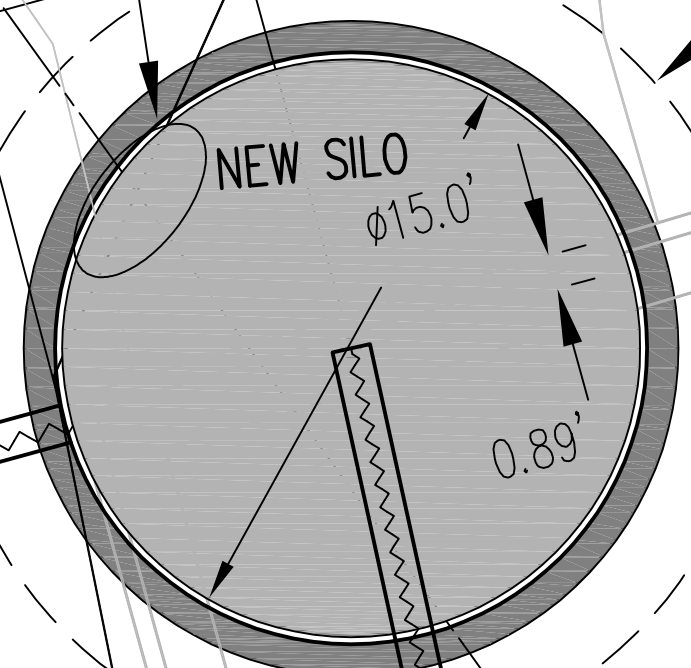


CAUTION
HIGH VOLTAGE UNDERGROUND FEED
LOCATE AND PROTECT

LIMITS OF 6AA SUBBASE

CB572



REMOVE CURB & GUTTER
REMOVE BIT. PAVT

PLACE AGGREGATE BASE
PLACE 9" CONC PAVT REINFORCED
W/6" INTEGRAL CURB

RECONSTRUCT CB571 AND CB572
INSTALL NEW 12" SEWER AND DRAIN TILE
SEE CE-2 FOR DETAIL



AUGER FEED TO BOILER

WINDOW

LOUVER

FDC

J BOX

TRANSFORMER

NOT FOR CONSTRUCTION

THREE FULL
WORKING DAYS
BEFORE YOU DIG
CALL MISS DIG
800-482-7171
(TOLL-FREE)

WARNING
UTILITY LOCATIONS ARE NOT CONFIRMED THOSE
SHOWN WERE OBTAINED FROM UTILITY OWNERS OR
PLANS. THREE FULL WORKING DAYS PRIOR TO
BEGINNING WORK THE CONTRACTOR SHALL NOTIFY
UTILITY OWNERS TO HAVE WORK AREA STAKED AND
HE SHALL PROTECT OR HAVE RELOCATED, AS
NOTED IN THE SPECIFICATIONS, ALL UTILITIES THAT
MIGHT INTERFERE WITH CONSTRUCTION.

DRAWN: JAD
DESIGN: JAD
CHECKED: -

REVISIONS	MARK	ADDENDUM/CHANGE ORDER	DATE	MARK	ADDENDUM/CHANGE ORDER	DATE	MARK	ADDENDUM/CHANGE ORDER	DATE
		MOVED SILO CLOSER TO BLDG	2011-10-05						

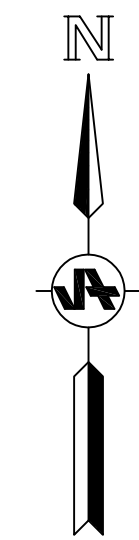
Johnson & Anderson
 4494 Elizabeth Lake Road Waterford, Michigan 48328 tel (248) 681-7800 fax (248) 681-2660
 1060 W. Norton Avenue, Suite 7 Muskegon, Michigan 49441 tel (231) 780-3100 fax (231) 780-3115
 3910 Lapeer Road Port Huron, Michigan 48060 tel (810) 987-7620 fax (810) 987-7895

OAKLAND UNIVERSITY
 DEPARTMENT OF HOUSING
 ROCHESTER, MICHIGAN 48309

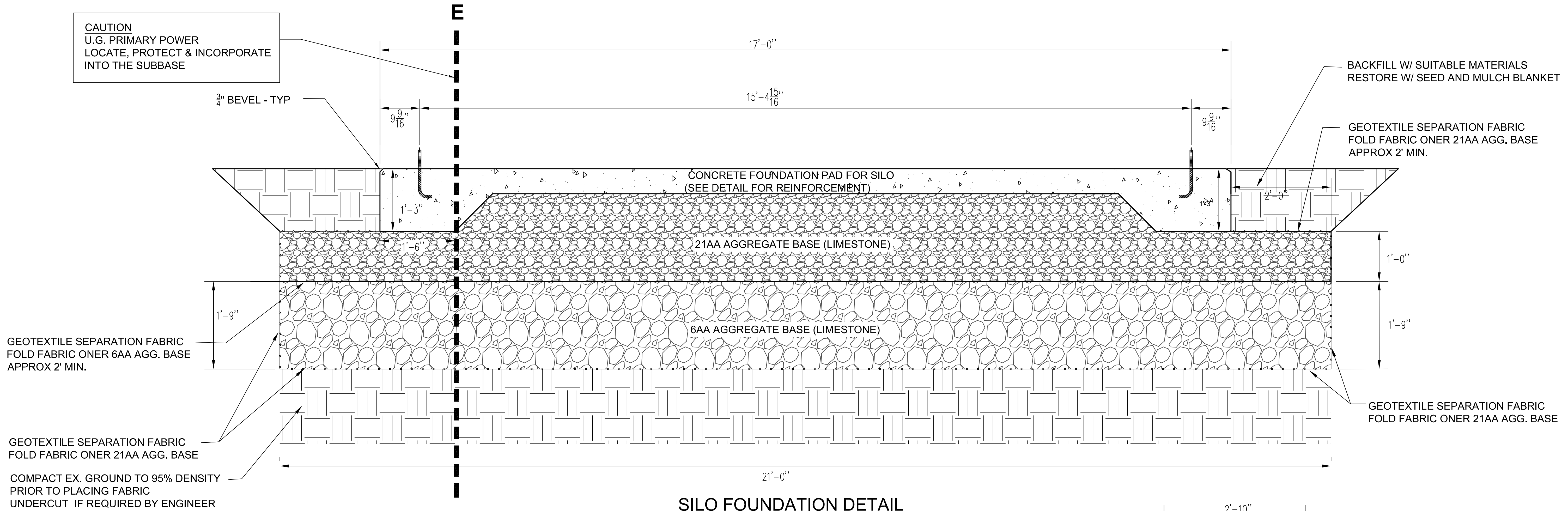
**EAST CAMPUS
 GUSTOFSON PAVILION
 STORAGE SILO & RECEIVING BIN**

JOB NO. 16916
 DATE ISSUED 2011-08-23
 SHEET NO. C-1

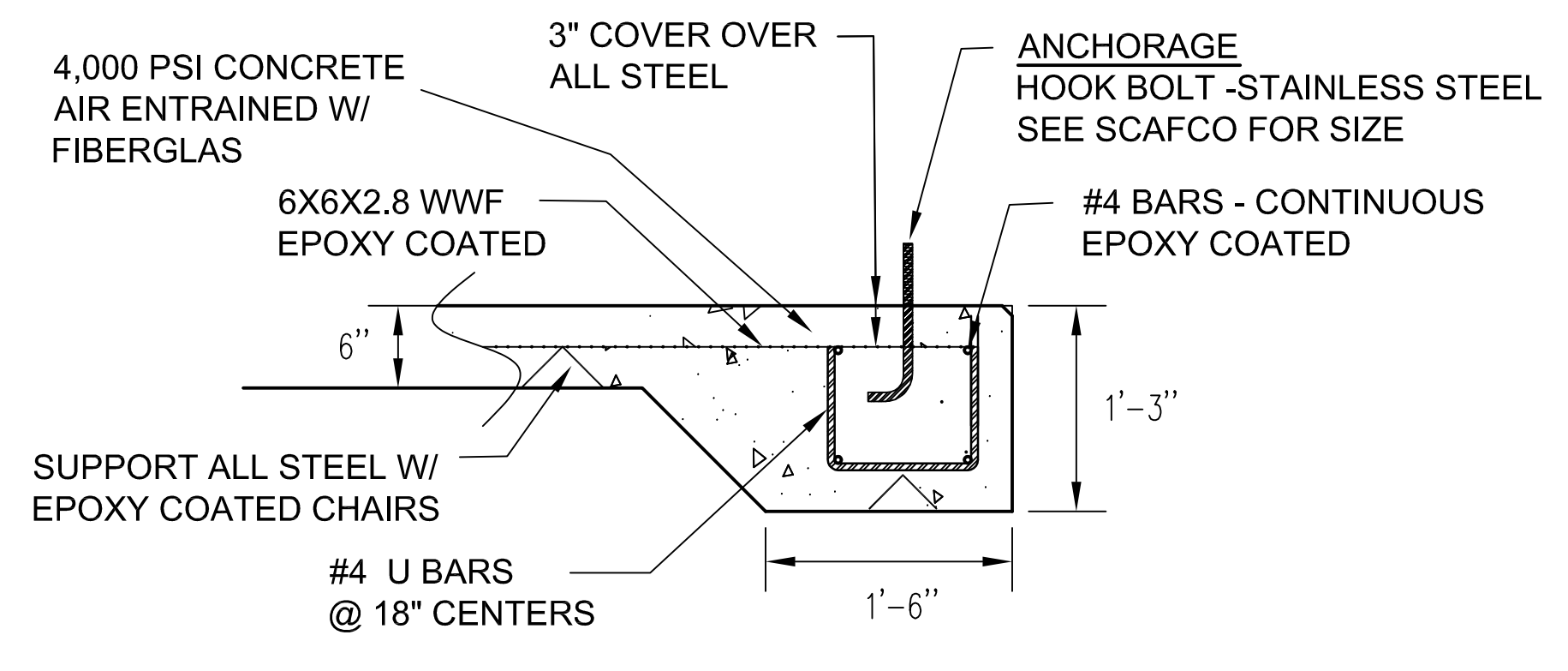
011_06_2011 - 8.22am
L:\Development\Engineering\Projects and 01 Projects\2011-07-07 East Campus Energy Center\at Oakland University\Plan of Site Rev_2011-10-05.dwg



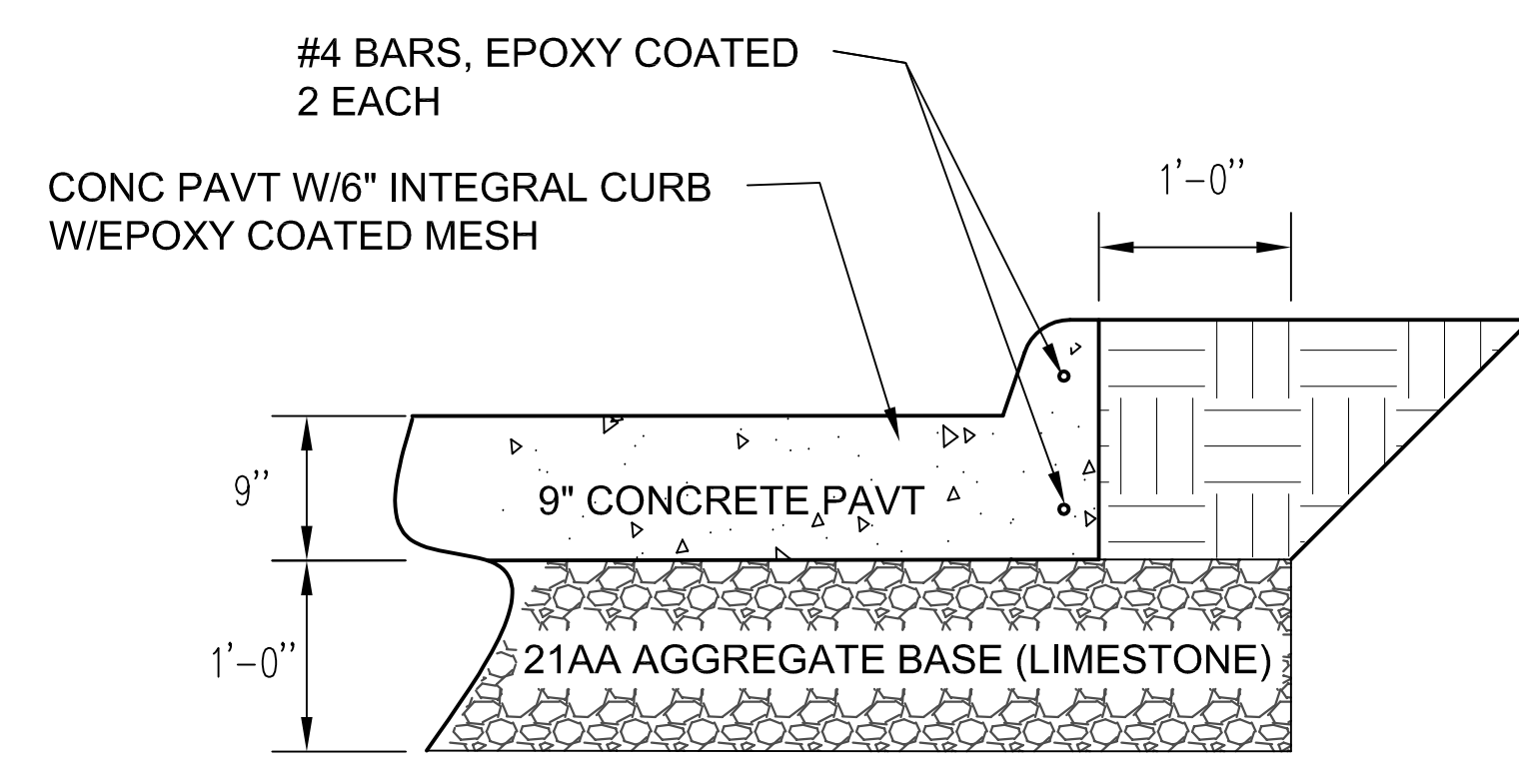
CAUTION
U.G. PRIMARY POWER
LOCATE, PROTECT & INCORPORATE
INTO THE SUBBASE



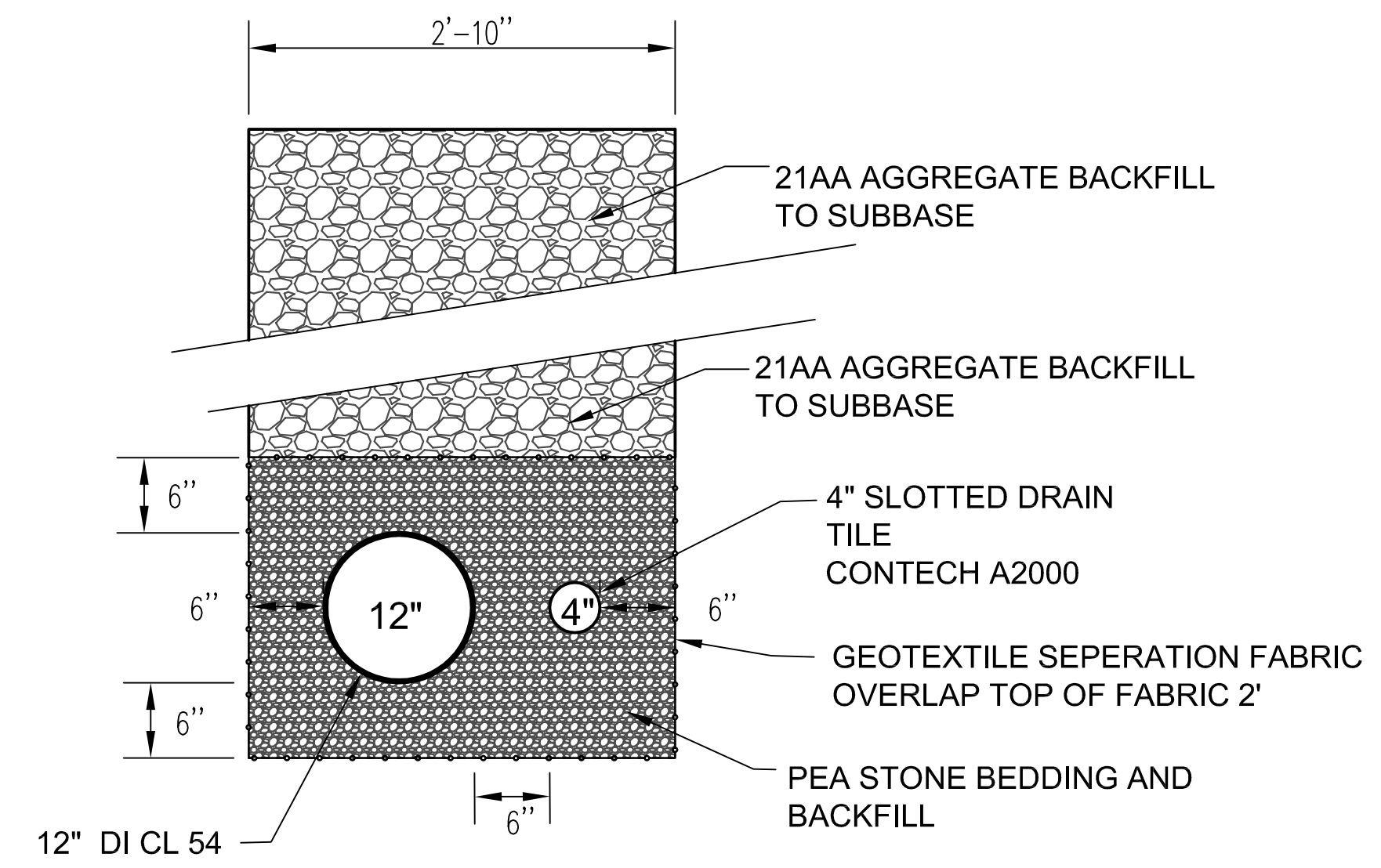
SILO FOUNDATION DETAIL



SILO FOUNDATION DETAIL



9" CONC PAVT W/ INTEGRAL CURB



STORM SEWER REPLACEMENT DETAIL

NOT FOR CONSTRUCTION

THREE FULL WORKING DAYS BEFORE YOU DIG CALL MISS DIG
800-482-7171 (TOLL-FREE)

WARNING
UTILITY LOCATIONS ARE NOT CONFIRMED THOSE SHOWN WERE OBTAINED FROM UTILITY OWNERS OR PLANS. THREE FULL WORKING DAYS PRIOR TO BEGINNING WORK THE CONTRACTOR SHALL NOTIFY UTILITY OWNERS TO HAVE WORK AREA STAKED AND HE SHALL PROTECT OR HAVE RELOCATED, AS NOTED IN THE SPECIFICATIONS, ALL UTILITIES THAT MIGHT INTERFERE WITH CONSTRUCTION.

REVISIONS	MARK	ADDENDUM/CHANGE ORDER	DATE	MARK	ADDENDUM/CHANGE ORDER	DATE	MARK	ADDENDUM/CHANGE ORDER	DATE

Johnson & Anderson
4494 Elizabeth Lake Road Waterford, Michigan 48328 tel (248) 681-7800 fax (248) 681-2660
1060 W. Norton Avenue, Suite 7 Muskegon, Michigan 49441 tel (231) 780-3100 fax (231) 780-3115
3910 Lapeer Road Port Huron, Michigan 48060 tel (810) 987-7820 fax (810) 987-7895

OAKLAND UNIVERSITY
DEPARTMENT OF HOUSING
ROCHESTER, MICHIGAN 48309

CONSTRUCTION DETAILS SCALE: VERT. - HORZ. 1"=1'
EAST CAMPUS GUSTOFSON PAVILION STORAGE SILO & RECEIVING BIN
JOB NO. 16916
DATE ISSUED 2011-08-23
SHEET NO. C-2

011_06_2011 - 8:23am L:\Development\Engineering\Projects and 01 Projects\2011-07-07 East Campus Energy Center\at Oakland pavilion\Draw of Silo Rev_2011-10-05.dwg